

Submersible sewage pumps made of cast iron, suitable for sewage and dirty water systems with solids, waste water, removal of treated liquid waste and tank emptying and general dirty water duties. (Kit discharge connector on request)



SPECIFICATIONS

- Maximum water temperature: 40°C
- Maximum passage of solids: 76 mm

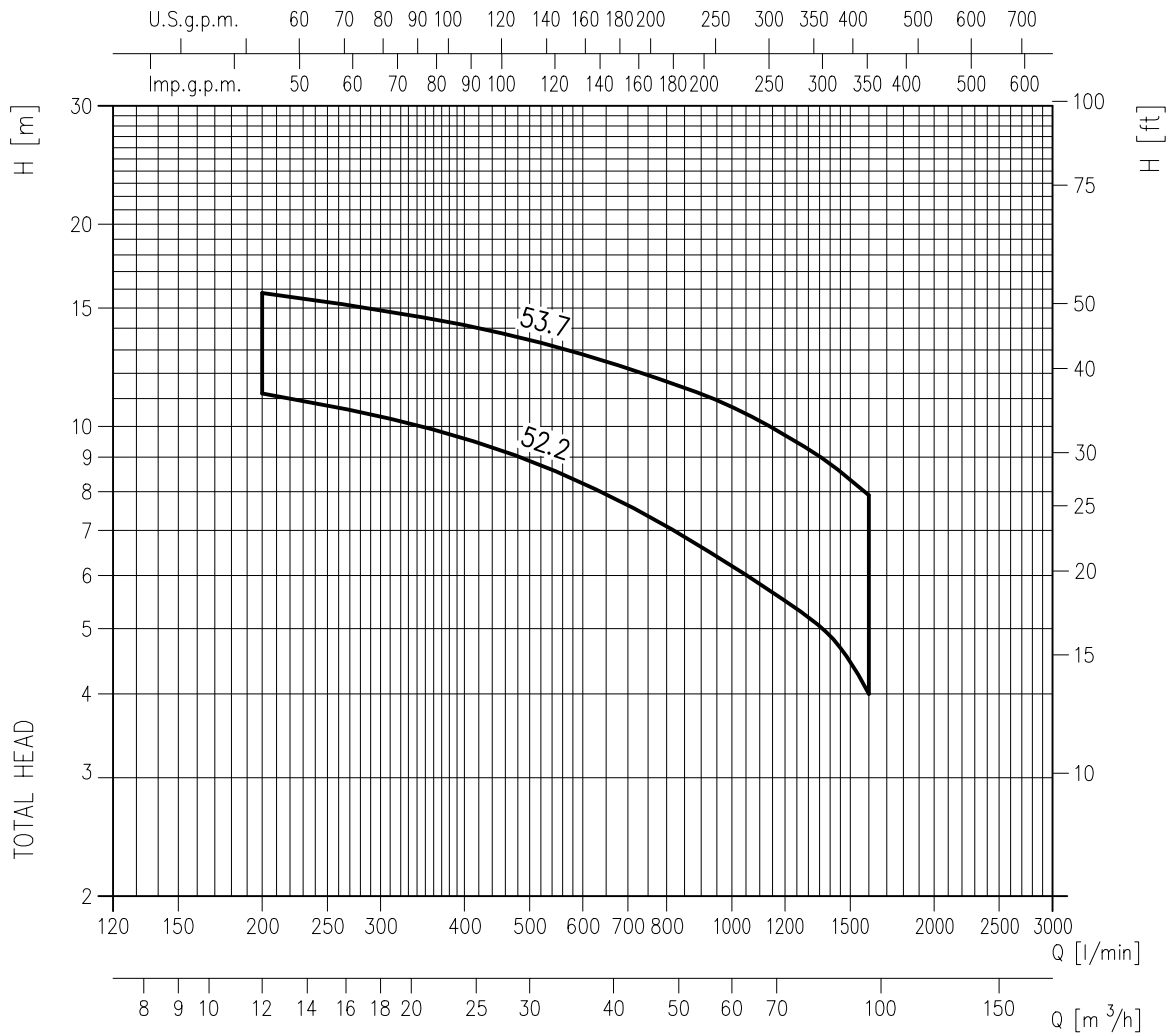
MATERIALS

- Pump casing, impeller and elbow: cast iron
- Shaft in AISI 403
- Mechanical seal:
 - SiC/SiC/NBR (pump side)
 - Carbon/Ceramic/NBR (motor side)

TECHNICAL DATA

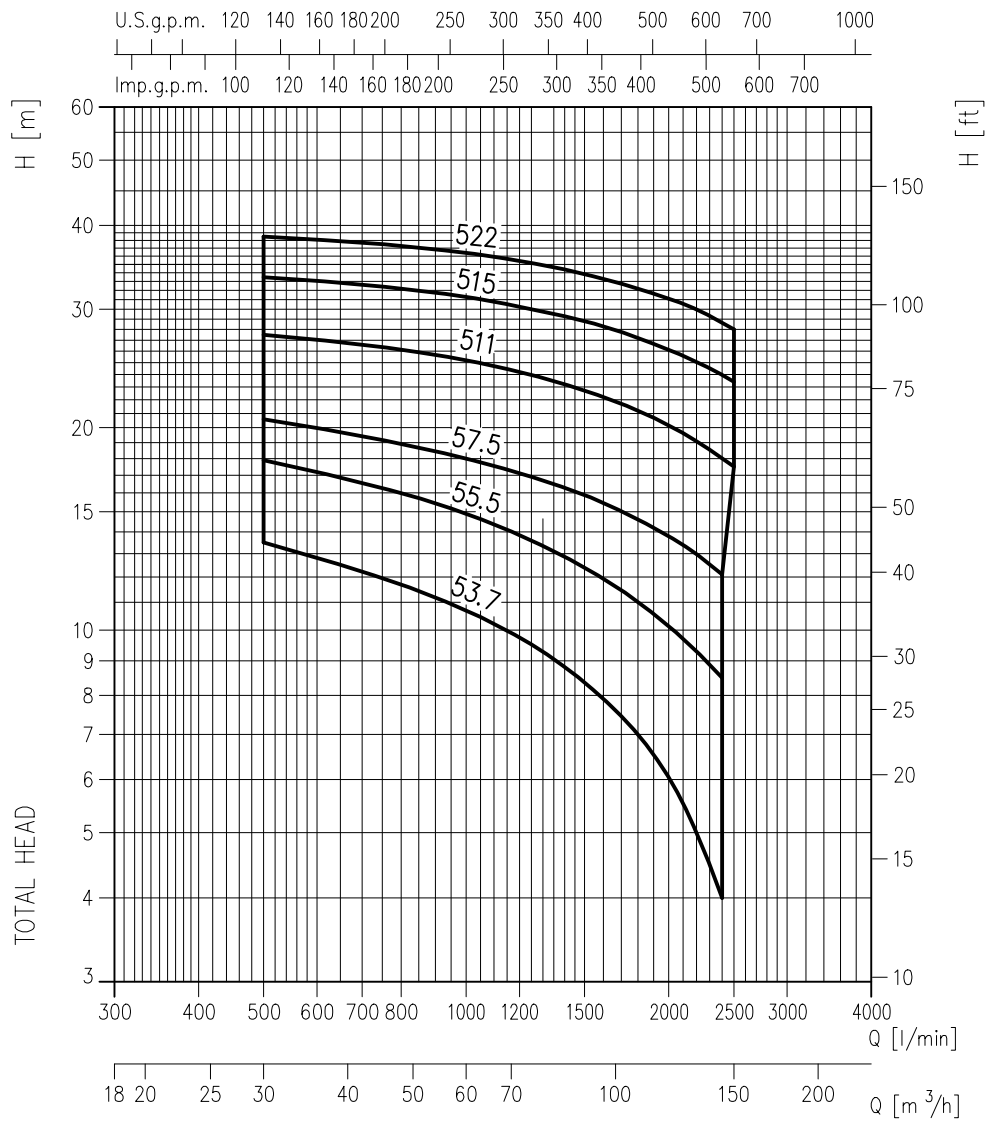
- 4 poles motor
- Insulation class F
- protection degree IP68
- 3~ 400V, 50 Hz
- DN80, DN100, DN150 flanges
- Power up to 22 kW

PERFORMANCE CURVES 80DML (according to ISO 9906 Annex A)



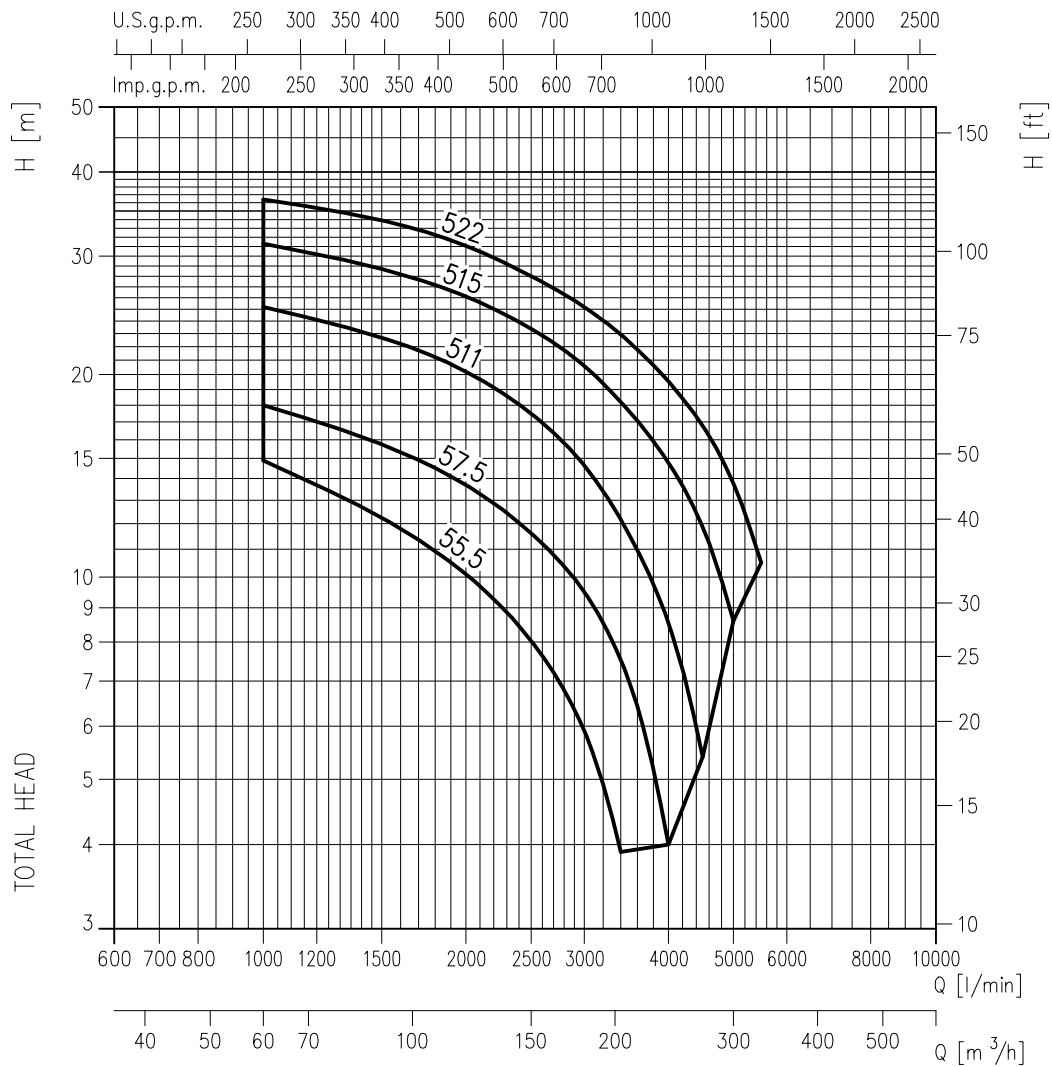
| Pump type DML | kW | HP | Q=Capacity | | | | | | | | |
|------------------|-----|----|------------------|------|------|------|------|------|------|------|------|
| | | | l/min m³/h | 0 | 200 | 400 | 600 | 800 | 1000 | 1200 | 1400 |
| | | | H=total head [m] | | | | | | | | |
| 80DML52.2 | 2.2 | 3 | 13.1 | 11.2 | 9.6 | 8.2 | 7.1 | 6.2 | 5.5 | 4.9 | 4 |
| 80DML53.7 | 3.7 | 5 | 17.9 | 15.8 | 14.2 | 12.8 | 11.7 | 10.7 | 9.7 | 8.8 | 7.9 |

PERFORMANCE CURVES 100DML (according to ISO 9906 Annex A)



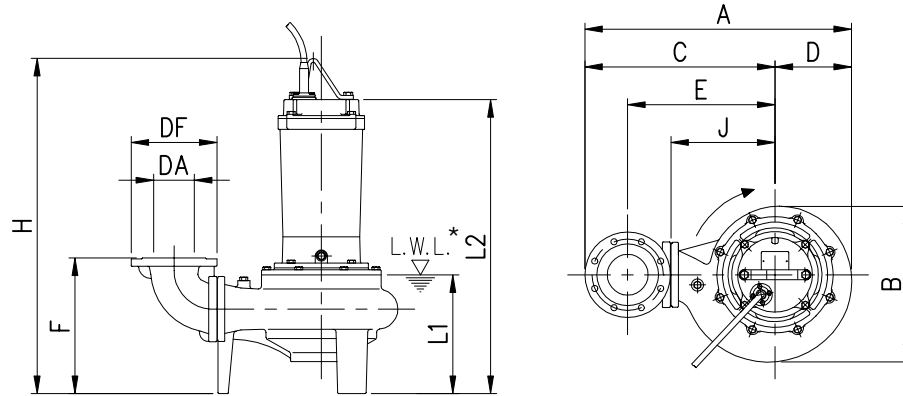
| Pump type DML | kW | HP | Q=Capacity | | | | | | | | | |
|------------------|-----|-----|----------------------------|------|------|------|------|------|------|------|------|------|
| | | | l/min m ³ /h | 0 | 500 | 1000 | 1300 | 1600 | 1900 | 2200 | 2400 | 2500 |
| | | | H=total head [m] | | | | | | | | | |
| 100DML53.7 | 3.7 | 5 | 17.9 | 13.5 | 10.7 | 9.3 | 7.9 | 6.5 | 5 | 4 | - | |
| 100DML55.5 | 5.5 | 7.5 | 22 | 17.9 | 14.9 | 13.4 | 11.9 | 10.6 | 9.3 | 8.5 | - | |
| 100DML57.5 | 7.5 | 10 | 25.3 | 20.6 | 18 | 16.7 | 15.5 | 14.2 | 13 | 12.1 | - | |
| 100DML511 | 11 | 15 | 30.3 | 27.5 | 25.2 | 23.7 | 22.2 | 20.7 | 19.1 | 18 | 17.5 | |
| 100DML515 | 15 | 20 | 35 | 33.5 | 31.3 | 29.8 | 28.3 | 26.7 | 25.1 | 24 | 23.4 | |
| 100DML522 | 22 | 30 | 40 | 38.5 | 36.4 | 34.9 | 33.3 | 31.7 | 30 | 28.7 | 28 | |

PERFORMANCE CURVES 150DML (according to ISO 9906 Annex A)

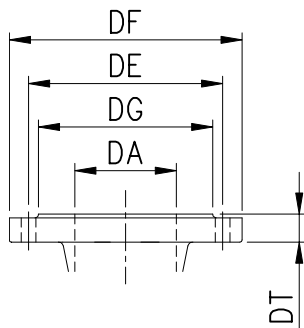


| Pump type DML | kW | HP | Q=Capacity | | | | | | | | | | |
|------------------|-----|-----|----------------------------|------|------|------|------|------|------|------|------|------|------|
| | | | l/min m ³ /h | 0 | 1000 | 2000 | 2500 | 3000 | 3400 | 4000 | 4500 | 5000 | 5500 |
| | | | H=Total head [m] | | | | | | | | | | |
| 150DML55.5 | 5.5 | 7.5 | 22 | 14.9 | 10.1 | 8 | 5.9 | 3.9 | - | - | - | - | |
| 150DML57.5 | 7.5 | 10 | 25.3 | 18 | 13.7 | 11.6 | 9.5 | 7.5 | 4 | - | - | - | |
| 150DML511 | 11 | 15 | 30.3 | 25.2 | 20.2 | 17.5 | 14.7 | 12.2 | 8.6 | 5.4 | - | - | |
| 150DML515 | 15 | 20 | 35 | 31.3 | 26.1 | 23.4 | 20.6 | 18.2 | 14.8 | 11.9 | 8.6 | - | |
| 150DML522 | 22 | 30 | 40 | 36.4 | 31.1 | 28 | 25.2 | 22.9 | 19.5 | 16.8 | 13.8 | 10.5 | |

DIMENSIONS



* L.W.L. = Low water level



FLANGES

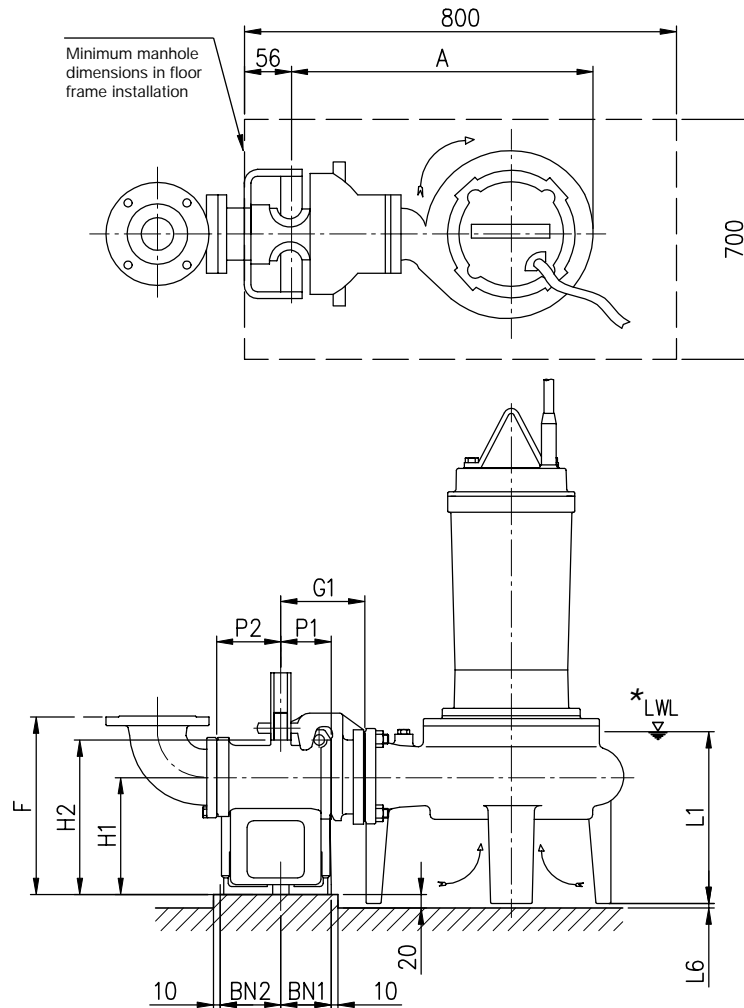
| DA | DG | DE | DF | DT |
|-----|-----|-----|-----|----|
| 80 | 138 | 160 | 200 | 22 |
| 100 | 158 | 180 | 220 | 24 |
| 150 | 212 | 240 | 285 | 26 |

DIMENSIONAL TABLE

| Pump type DML | Dimensions | | | | | | | | | | | | Weight kg |
|------------------|------------|-----|-------|-----|-------|-----|-----|-----|------|-----|-----|-----|--------------|
| | DA | kW | A | B | C | D | E | F | H | J | L1 | L2 | |
| 80DML52.5 | 80 | 2.2 | 542 | 320 | 385 | 157 | 285 | 308 | 668 | 210 | 279 | 547 | 80 |
| 80DML53.7 | 80 | 3.7 | 542 | 320 | 385 | 157 | 285 | 308 | 727 | 210 | 279 | 627 | 87 |
| 100DML53.7 | 100 | 3.7 | 582 | 320 | 425 | 157 | 315 | 313 | 727 | 210 | 279 | 627 | 89 |
| 100DML55.5 | 100 | 5.5 | 658 | 381 | 470 | 188 | 360 | 339 | 824 | 255 | 310 | 724 | 121 |
| 100DML57.5 | 100 | 7.5 | 658 | 381 | 470 | 188 | 360 | 339 | 824 | 255 | 310 | 724 | 125 |
| 100DML511 | 100 | 11 | 751 | 455 | 530 | 221 | 420 | 355 | 938 | 315 | 329 | 778 | 160 |
| 100DML515 | 100 | 15 | 751 | 455 | 530 | 221 | 420 | 355 | 938 | 315 | 329 | 778 | 166 |
| 100DML522 | 100 | 22 | 795 | 497 | 550 | 245 | 440 | 358 | 1021 | 335 | 342 | 841 | 226 |
| 150DML55.5 | 150 | 5.5 | 715.5 | 381 | 527.5 | 188 | 385 | 369 | 824 | 255 | 310 | 724 | 127 |
| 150DML57.5 | 150 | 7.5 | 715.5 | 381 | 527.5 | 188 | 385 | 369 | 824 | 255 | 310 | 724 | 132 |
| 150DML511 | 150 | 11 | 808.5 | 455 | 587.5 | 221 | 445 | 385 | 938 | 315 | 329 | 778 | 166 |
| 150DML515 | 150 | 15 | 808.5 | 455 | 587.5 | 221 | 445 | 385 | 938 | 315 | 329 | 778 | 172 |
| 150DML522 | 150 | 22 | 852.5 | 497 | 607.5 | 245 | 465 | 388 | 1021 | 335 | 342 | 841 | 232 |

KIT DISCHARGE CONNECTOR DIMENSIONS LM80

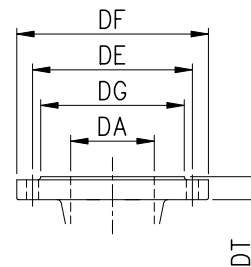
80 (100) DML 52.2, 53.7



* LWL = Low water level

FLANGES

| DA | DG | DE | DF | DT |
|-----|-----|-----|-----|----|
| 80 | 138 | 160 | 200 | 22 |
| 100 | 158 | 180 | 220 | 24 |

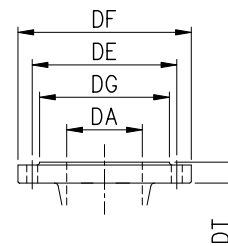
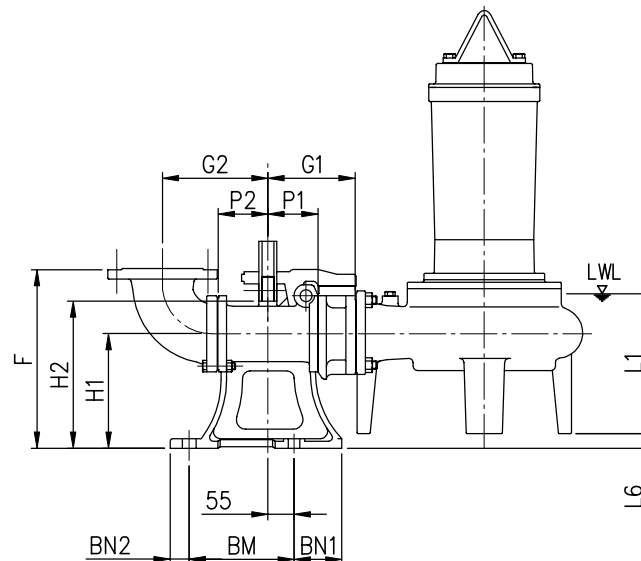
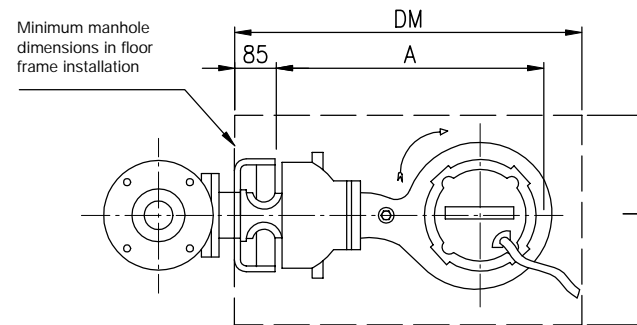


DIMENSIONAL TABLE

| Pump type DML | Dimensions | | | | | | | | | | | | | | Kit discharge connector | Weight kg |
|------------------|------------|----|----|-----|-----|-----|-----|-----|-----|----|-----|-----|----|-----|----------------------------|--------------|
| | A | P1 | P2 | G1 | G2 | F | H1 | H2 | L1 | L6 | BN1 | BN2 | D1 | E1 | | |
| 80DML52.2 | 492 | 75 | 90 | 125 | 165 | 295 | 175 | 230 | 279 | 7 | 75 | 90 | 15 | 155 | LM80 | 17 |
| 80DML53.7 | 492 | 75 | 90 | 125 | 165 | 295 | 175 | 230 | 279 | 7 | 75 | 90 | 15 | 155 | LM80 | 17 |
| 100DML53.7 | 492 | 75 | 90 | 125 | 195 | 300 | 175 | 230 | 279 | 7 | 75 | 90 | 15 | 155 | LM80 | 17 |

KIT DISCHARGE CONNECTOR DIMENSIONS LL100

100 (150) DML



FLANGES

| DA | DG | DE | DF | DT |
|-----|-----|-----|-----|----|
| 100 | 158 | 180 | 220 | 24 |
| 150 | 212 | 240 | 285 | 26 |

DIMENSIONAL TABLE

| Pump type DML | Dimensions | | | | | | | | | | | | | | | | | Kit discharge connector | Weight kg |
|------------------|------------|-----|-----|-----|-----|-----|-----|-----|-----|----|-----|-----|-----|------|-----|----|-----|----------------------------|--------------|
| | A | P1 | P2 | G1 | G2 | F | H1 | H2 | L1 | L6 | BN1 | BN2 | BM | DM | I | D1 | E1 | | |
| 100DML55.5 | 628 | 105 | 105 | 185 | 210 | 370 | 240 | 265 | 310 | 31 | 100 | 40 | 220 | 800 | 700 | 19 | 175 | LL100 | 46 |
| 100DML57.5 | 628 | 105 | 105 | 185 | 210 | 370 | 240 | 265 | 310 | 31 | 100 | 40 | 220 | 800 | 700 | 19 | 175 | LL100 | 46 |
| 100DML511 | 721 | 105 | 105 | 185 | 210 | 370 | 240 | 265 | 329 | 15 | 100 | 40 | 220 | 1000 | 700 | 19 | 175 | LL100 | 46 |
| 100DML515 | 721 | 105 | 105 | 185 | 210 | 370 | 240 | 265 | 329 | 15 | 100 | 40 | 220 | 1000 | 700 | 19 | 175 | LL100 | 46 |
| 100DML522 | 765 | 105 | 105 | 185 | 210 | 370 | 240 | 265 | 342 | 12 | 100 | 40 | 220 | 1000 | 700 | 19 | 175 | LL100 | 46 |
| 150DML55.5 | 628 | 105 | 105 | 185 | 235 | 400 | 240 | 265 | 310 | 31 | 100 | 40 | 220 | 800 | 700 | 19 | 175 | LL100 | 46 |
| 150DML57.5 | 628 | 105 | 105 | 185 | 235 | 400 | 240 | 265 | 310 | 31 | 100 | 40 | 220 | 800 | 700 | 19 | 175 | LL100 | 46 |
| 150DML511 | 721 | 105 | 105 | 185 | 235 | 400 | 240 | 265 | 329 | 15 | 100 | 40 | 220 | 1000 | 700 | 19 | 175 | LL100 | 46 |
| 150DML515 | 721 | 105 | 105 | 185 | 235 | 400 | 240 | 265 | 329 | 15 | 100 | 40 | 220 | 1000 | 700 | 19 | 175 | LL100 | 46 |
| 150DML522 | 765 | 105 | 105 | 185 | 235 | 400 | 240 | 265 | 342 | 12 | 100 | 40 | 220 | 1000 | 700 | 19 | 175 | LL100 | 46 |